

Non-Suited Accessories





Traditional Bell Push

		Standard	Distressed	ETERNA
25-8850-175	Small Traditional Bell Push	177.74	193.20	218.87
25-8850-262	Large Traditional Bell Push	186.76	199.64	213.81



Colonial Bell Push

		Standard	Distressed	ETERNA
25-8851-175	Small Traditional Bell Push	177.74	193.20	218.87
25-8851-262	Large Traditional Bell Push	186.76	199.64	213.81

All Prices in US Dollars - Prices Subject to Change Without Notice
Please Check with Customer Service for Up to Date Pricing.



Traditional Deadbolt

		Standard	Distressed	ETERNA
1885081	Traditional Deadbolt 2 3/8" Backset, Single Cylinder	251.16	283.36	309.12
1885041	Traditional Deadbolt 2 3/4" Backset, Single Cylinder	251.16	283.36	309.12
1885082	Traditional Deadbolt 2 3/8" Backset, Double Cylinder	283.36	309.12	334.88
1885042	Traditional Deadbolt 2 3/4" Backset, Double Cylinder	283.36	309.12	334.88



Colonial Deadbolt

		Standard	Distressed	ETERNA
1885181	Colonial Deadbolt 2 3/8" Backset, Single Cylinder	251.16	283.36	309.12
1885141	Colonial Deadbolt 2 3/4" Backset, Single Cylinder	251.16	283.36	309.12
1885182	Colonial Deadbolt 2 3/8" Backset, Double Cylinder	283.36	309.12	334.88
1885142	Colonial Deadbolt 2 3/4" Backset, Double Cylinder	283.36	309.12	334.88

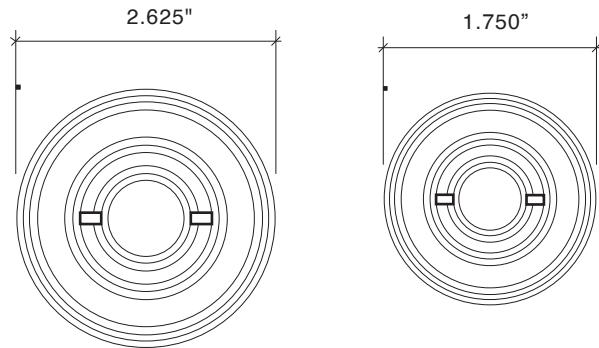
Traditional and Colonial Bell Push

Traditional



- Solid Forged Brass. Available in Large and Small rose
- Colonial and Traditional Design Trim
- Fully Concealed Mounting
- Super Bright White LED Illuminated Push Button

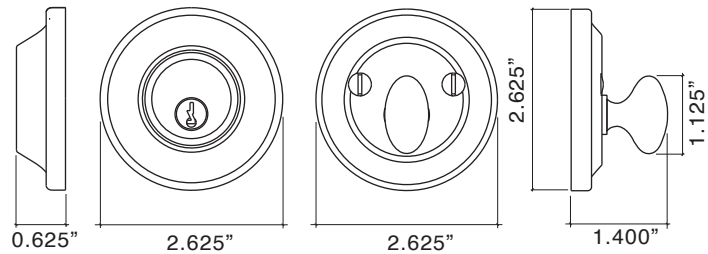
Colonial



Traditional Deadbolt



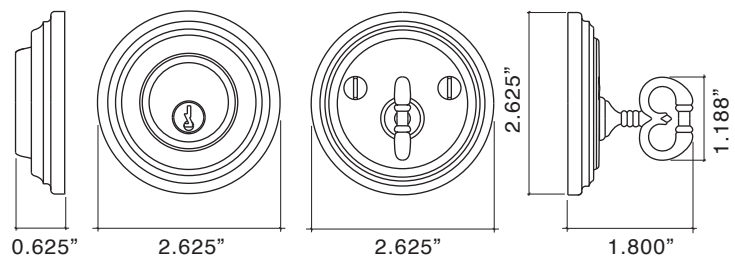
- Solid Forged Brass
- Traditional Design Trim with Oval Turnpiece



Colonial Deadbolt



- Solid Forged Brass
- Colonial Design Trim with Bit Key Turnpiece



All Prices in US Dollars - Prices Subject to Change Without Notice
Please Check with Von Morris Customer Service for Up to Date Pricing.



Traditional Handrail Bracket

		Standard	Distressed	ETERNA
26-5017	Small Traditional Handrail Brackets	148.12	173.88	193.20
26-5026	Large Traditional Handrail Brackets	154.56	180.32	206.08



Colonial Handrail Bracket

		Standard	Distressed	ETERNA
26-5117	Small Colonial Handrail Bracket	148.12	173.88	193.20
26-5126	Large Colonial Handrail Bracket	154.56	180.32	206.08



Handrail Bracket

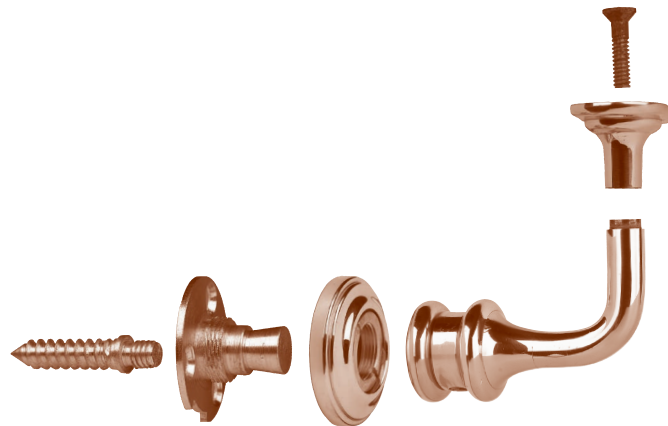
		Standard	Distressed	ETERNA
2600	Handrail Bracket without Rose	114.06	133.88	148.76
2600/1	Handrail Bracket Radius Saddle Adaptor	24.44	28.69	31.88



Radius Saddle Adapter 2600/1

• 1.0" wide x 2.0" long - 0.6875" radius.

Available at additional cost.





Traditional Handrail Bracket Set

Von Morris Handrail Brackets use an innovative design allowing you to use the base bracket and elbow with any Von Morris Rose. The base attaches to the wall with a 5/16" x 2.0" hanger bolt and three #10 x 2.0" steel wood screws. The Rose is then attached to the base plate with a retainer nut. The base allows for 45° of rotation so that Roses can be properly aligned, yet prevents full rotation. The elbow fits over the large diameter boss on the base and is secured with a set screw. The saddle is attached to bottom of the rail with two #12 x 1.25" wood screws. Handrail Brackets are supplied standard for flat bottom rail. A Radius Saddle Adapter is available for an additional charge. Screws for the Radius Saddle Adapter are offset equally from the centerline to provide additional stability and to prevent the rail from rocking. Any Von Morris Rose can be used with this Handrail Bracket.

Dimensions:

Projection: Wall to centerline of railing: 2.625".

Clearance: 1.625" using 2.0" outside diameter rail.

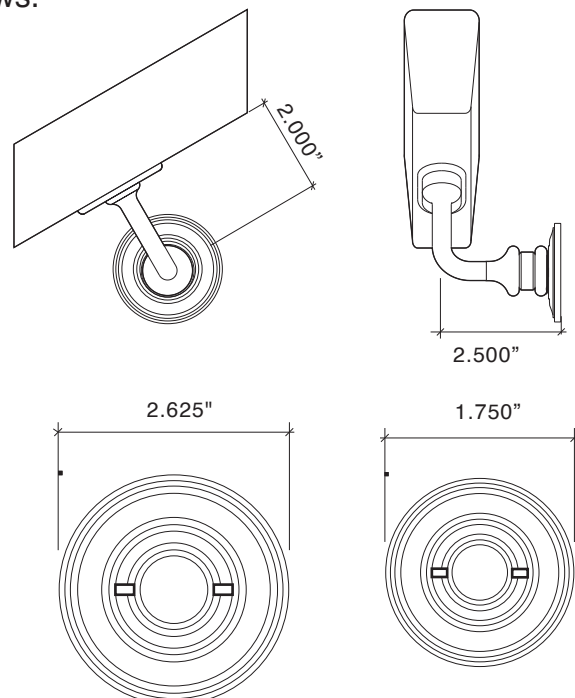
Standard Saddle: 1.0" wide x 2.0" long - flat.

Fasteners:

5/16" x 2.0" hanger bolt and three #12 x 2.0" steel screws.



Colonial Handrail Bracket Set



All Prices in US Dollars - Prices Subject to Change Without Notice
Please Check with Von Morris Customer Service for Up to Date Pricing.



Traditional Turnpiece Trim

Description	Standard	Distressed	ETERNA
9538/01 Mortise Bolt w/ Traditional Rose w/Turnpiece	141.68	173.88	212.52
9538/02 Mortise Bolt w/ Traditional Rose w/Turnpiece and ER Rose	172.59	213.81	264.04
8860-001 1.25" Traditional Rose with Turnpiece	66.98	87.58	109.48
8860-002 1.25" Traditional Rose cut for ER Button	30.91	39.93	54.97
8860-003 1.25" Traditional Rose cut for Bit Key	30.91	39.93	54.97
8863-001 Bit Key Head Turnpiece on Rose	73.42	96.60	122.36
8880 Oval Turnpiece	36.06	47.66	57.96
8882 Bit Key Head Turnpiece	42.50	56.67	70.84
8890 Traditional Cylinder Collar	32.20	42.50	52.81

All IML Privacy and Tubular Mortise Bolt Privacy Sets come with ER Trim Standard on the Exterior. Exterior Bit Key Trim can be substituted for no additional charge.

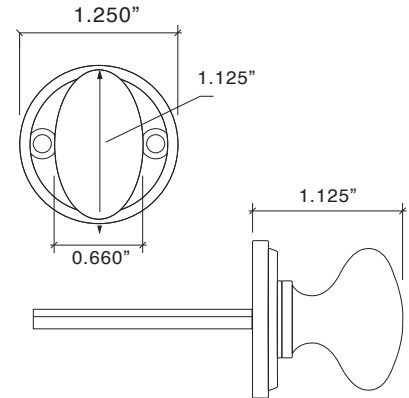
Traditional Turnpiece Trim

Traditional Escutcheon with Traditional Turnpiece



8860-001

- Solid Forged Brass Turnpiece.
- Machined Brass Escutcheon.
- 5mm x 5mm Spindle positioned on the diamond.
- Furnished with #4 Solid Brass oval head slotted wood screws finished to match Escutcheon and Turnpiece.
- Stocked in Standard Finishes

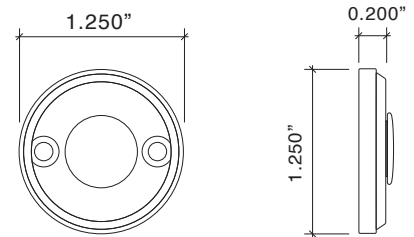


Traditional Emergency Release Trim



8860-002

- Machined Brass Escutcheon
- Wrought Brass Hole Cover is included and finished to match Escutcheon.
- Furnished with #4 Solid Brass oval head slotted wood screws finished to match Escutcheon.
- Stocked in Standard Finishes

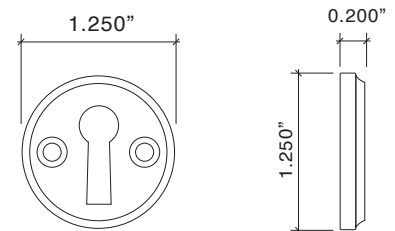


Traditional Bit Key Trim



8860-003

- Machined Brass Escutcheon.
- Furnished with #4 Solid Brass oval head slotted wood screws finished to match Escutcheon.
- Stocked in Standard Finishes

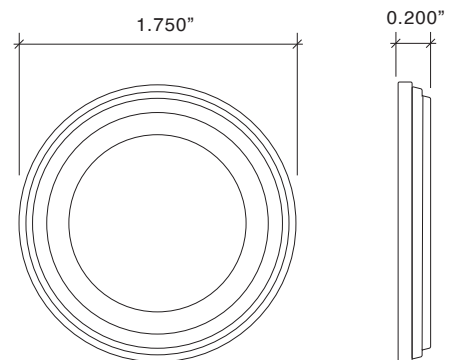


Traditional Cylinder Collar



8890

- Solid Forged Brass.
- Stocked in Standard Finishes



All Prices in US Dollars - Prices Subject to Change Without Notice
Please Check with Customer Service for Up to Date Pricing.



Colonial Turnpiece Trim

	Description	Standard	Distressed	ETERNA
9538/11	Mortise Bolt w/ Colonial Rose w/Turnpiece	141.68	173.88	212.52
9538/12	Mortise Bolt w/ Colonial Rose w/Turnpiece and ER Rose	172.59	213.81	264.04
8861-001	1.25" Colonial Rose with Turnpiece	66.98	87.58	109.48
8861-002	1.25" Colonial Rose cut for ER Button	30.91	39.93	54.97
8861-003	1.25" Colonial Rose cut for Bit Key	30.91	39.93	54.97
8863-001	Bit Key Head Turnpiece on Rose	73.42	96.60	122.36
8880	Oval Turnpiece	36.06	47.66	57.96
8882	Bit Key Head Turnpiece	42.50	56.67	70.84
8890	Traditional Cylinder Collar	32.20	42.50	52.81

All IML Privacy and Tubular Mortise Bolt Privacy Sets come with ER Trim Standard on the Exterior. Exterior Bit Key Trim can be substituted for no additional charge.

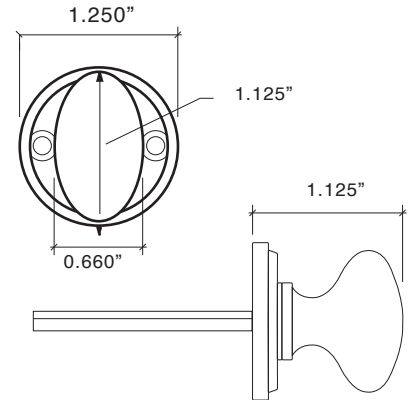
Colonial Turnpiece Trim

Colonial Escutcheon with Colonial Turnpiece



8861-001

- Solid Forged Brass Turnpiece.
- Machined Brass Escutcheon.
- 5mm x 5mm Spindle positioned on the diamond.
- Furnished with #4 Solid Brass oval head slotted wood screws finished to match Escutcheon and Turnpiece.
- Stocked in Standard Finishes

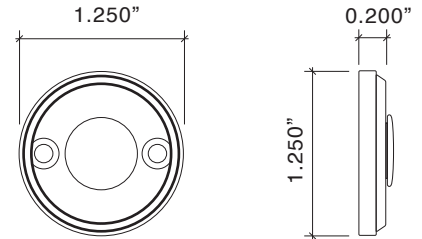


Colonial Emergency Release Trim



8861-002

- Machined Brass Escutcheon
- Wrought Brass Hole Cover is included and finished to match Escutcheon.
- Furnished with #4 Solid Brass oval head slotted wood screws finished to match Escutcheon.
- Stocked in Standard Finishes

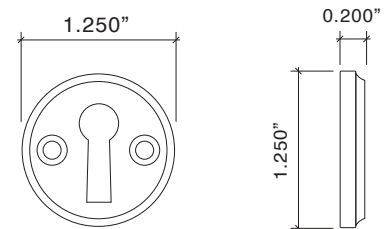


Colonial Bit Key Trim



8861-003

- Machined Brass Escutcheon.
- Furnished with #4 Solid Brass oval head slotted wood screws finished to match Escutcheon.
- Stocked in Standard Finishes

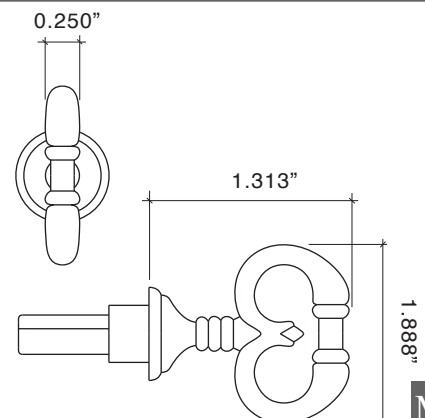


Colonial Bit Key Head Turnpiece



8863-001

- Solid Forged Brass Turnpiece.
- Machined Brass Escutcheon.
- Stainless Steel Spindle positioned on the diamond.
- Furnished with #4 Solid Brass oval head slotted wood screws finished to match Escutcheon and Turnpiece.
- Stocked in all standard finishes.
- 5mm x 5mm Spindle positioned on the diamond.



NON-SUITED ACCESSORIES

